

QUAD, ±16.5kV ESD Protected, 3.0V to 5.5V, RS-485/RS-422 Receivers

ISL32173E, ISL32175E, ISL32177E, ISL32273E, ISL32275E, ISL32277E

These Intersil devices are ±16.5kV IEC61000-4-2 ESD protected, 3.0V to 5.5V powered, QUAD receivers for balanced communication using the RS-485 and RS-422 standards. Each receiver has low input currents (±200µA), so it presents a 1/4 unit load to the RS-485 bus, and allows up to 128 receivers on the bus.

The ISL32173E, ISL32175E, ISL32177E are high data rate receivers that operate at data rates up to 80Mbps. Their 8ns maximum propagation delay skew (tolerance) guarantees excellent part-to-part matching. The ISL32273E, ISL32275E, ISL32277E are reduced supply current versions that operate at data rates up to 20Mbps.

Receiver outputs are tri-statable, and incorporate a hot plug feature to keep them disabled during power up and down. Versions are available with a common EN/EN (173 pinout), a two channel EN12/EN34 (175 pinout), or a versatile individual channel enable (see Table 1)

A 26% smaller footprint is available with the ISL32177E and ISL32277E QFN packages, and these two devices also feature a logic supply pin (V_L). The V_L supply sets the switching points of the enable inputs, and the receiver outputs' V_{OH}, to levels compatible with a lower supply voltage in mixed voltage systems. Individual channel and group enable pins increase the ISL32177E and ISL32277E's flexibility.

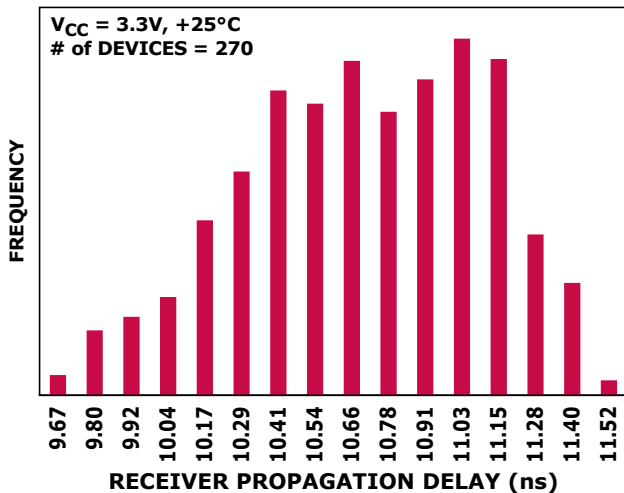
Features

- IEC61000 ESD Protection (RS-485 Inputs) ±16.5kV - Class 3 ESD on all Other Pins >8kV HBM
- Wide Supply Range. 3.0V to 5.5V
- Wide Common Mode Range -7V to +12V
- Low Part-to-Part Propagation Delay Tolerance ±4ns (max)
- Specified for +125°C Operation
- Fail-Safe Open Rx Inputs
- 1/4 Unit Load Allows 128 Devices on the Bus
- Available in Industry Standard Pinouts (173/175) and a 4x4 QFN (ISL32X77E) with Added Features
- Logic Supply Pin (V_L) Eases Operation in Mixed Supply Systems (ISL32X77E)
- High Data Rates up to 80M or 20Mbps
- Low Shutdown Supply Current 60µA
- Tri-statable Rx Outputs
- 5V Tolerant Logic Inputs When V_{CC} = 3.3V

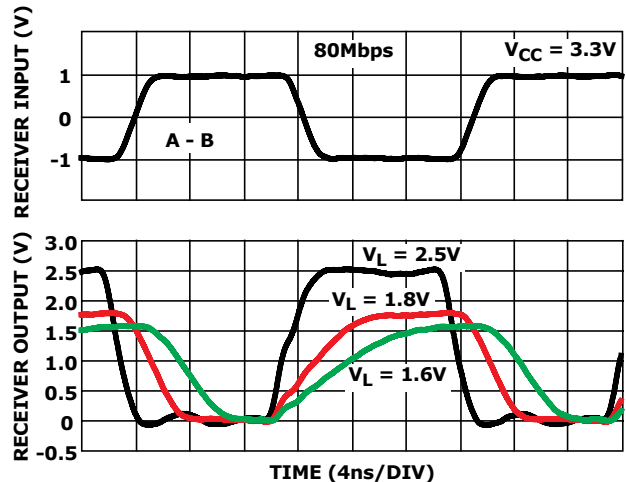
Applications* (see page 19)

- Telecom Equipment
- Motor Controllers/Encoders
- Programmable Logic Controllers
- Industrial/Process Control Networks

ISL32177E Part-to-Part Prop Delay Variability



ISL3217XE Data Rate and V_L Performance



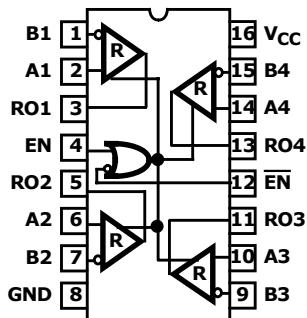
ISL32173E, ISL32175E, ISL32177E, ISL32273E, ISL32275E, ISL32277E

TABLE 1. SUMMARY OF FEATURES

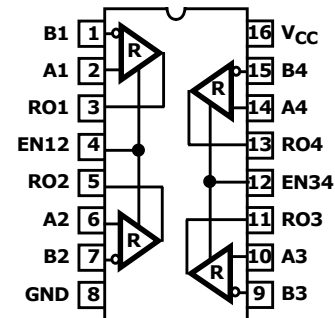
| PART NUMBER | FUNCTION | DATA RATE (Mbps) | HOT PLUG? | V _L SUPPLY PIN? | Rx ENABLE TYPE | MAX. TOTAL SUPPLY CURRENT (mA) | LOW POWER SHUTDOWN? | PIN COUNT |
|-------------|----------|------------------|-----------|----------------------------|------------------------------|--------------------------------|---------------------|-----------|
| ISL32173E | 4 Rx | 80 | YES | NO | EN, $\overline{\text{EN}}$ | 15 | YES | 16 |
| ISL32175E | 4 Rx | 80 | YES | NO | EN12, EN34 | 15 | YES | 16 |
| ISL32177E | 4 Rx | 80 | YES | YES | INDIVIDUAL AND GROUP ENABLES | 15 | YES | 24 |
| ISL32273E | 4 Rx | 20 | YES | NO | EN, $\overline{\text{EN}}$ | 5.5 | YES | 16 |
| ISL32275E | 4 Rx | 20 | YES | NO | EN12, EN34 | 5.5 | YES | 16 |
| ISL32277E | 4 Rx | 20 | YES | YES | INDIVIDUAL AND GROUP ENABLES | 5.5 | YES | 24 |

Pin Configurations

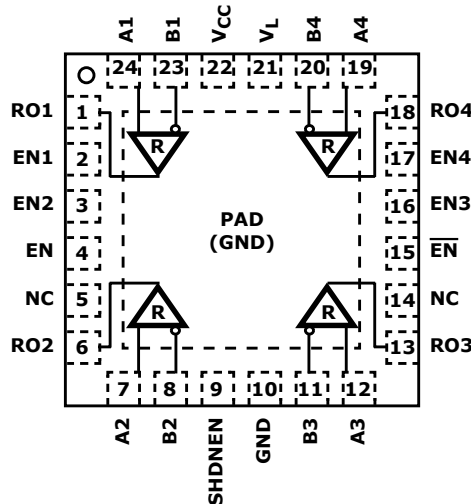
ISL32173E, ISL32273E
(16 LD N-SOIC, 16 LD TSSOP)
TOP VIEWS



ISL32175E, ISL32275E
(16 LD N-SOIC, 16 LD TSSOP)
TOP VIEWS



ISL32177E, ISL32277E
(24 LD QFN)
TOP VIEW



www.DataSheet4U.com

Pin Descriptions

| ISL32173E, ISL32273E PIN NUMBER | ISL32175E, ISL32275E PIN NUMBER | ISL32177E, ISL32277E PIN NUMBER | PIN | FUNCTION |
|---------------------------------------|---------------------------------------|---------------------------------------|-----------------------|---|
| 4, 12 | - | 4, 15 | EN, \overline{EN} | Group driver output enables, that are internally pulled high to V_{CC} . All receiver outputs are enabled by driving EN high OR \overline{EN} low, and the outputs are all high impedance when EN is low AND \overline{EN} is high (i.e., if using only the active high EN, connect EN to V_{CC} or V_L through a 1k Ω resistor; if using only the active low \overline{EN} , connect \overline{EN} directly to GND). If the group enable function isn't required, connect EN to V_{CC} (or V_L) through a 1k Ω or greater resistor, or connect \overline{EN} directly to GND. (ISL32X73E and ISL32X77E only) |
| - | 4, 12 | - | EN12, EN34 | Paired driver output enables, that are internally pulled high to V_{CC} . Driving EN12 (EN34) high enables the channel 1 and 2 (3 and 4) RO outputs. Driving EN12 (EN34) low disables the channel 1 and 2 (3 and 4) outputs. If the enable function isn't required, connect EN12 and EN34 to V_{CC} (or V_L) through a 1k Ω or greater resistor. (ISL32X75E only). |
| - | - | 2, 3, 16, 17 | EN1, EN2, EN3, EN4 | Individual receiver output enables that are internally pulled high to V_{CC} . Forcing ENX high (along with EN high OR \overline{EN} low) enables the channel X output (ROX). Driving ENX low disables the channel X output, regardless of the states of EN and \overline{EN} . If the individual channel enable function isn't required, connect ENX to V_{CC} (or V_L) through a 1k Ω or greater resistor. (ISL32X77E only) |
| - | - | 9 | SHDNEN | Low power SHDN mode enable that is internally pulled high to V_{CC} . A high level allows the ISL32X77E to enter a low power mode when all channels are disabled. A low level prevents the device from entering the low power mode. (ISL32X77E only) |
| 3, 5, 11, 13 | 3, 5, 11, 13 | 1, 6, 13, 18 | RO1, RO2, RO3, RO4 | Channel X receiver output: If $A - B \geq 200\text{mV}$, RO is high; If $A - B \leq -200\text{mV}$, RO is low. RO = High if A and B are unconnected (floating). |
| 8 | 8 | 10, PD | GND | Ground connection. This is also the potential of the QFN thermal pad. |
| 2, 6, 10, 14 | 2, 6, 10, 14 | 24, 7, 12, 19 | A1, A2, A3, A4 | $\pm 16.5\text{kV}$ IEC61000-4-2 ESD Protected RS-485/422 level, channel X noninverting receiver input. |
| 1, 7, 9, 15 | 1, 7, 9, 15 | 23, 8, 11, 20 | B1, B2, B3, B4 | $\pm 16.5\text{kV}$ IEC61000-4-2 ESD Protected RS-485/422 level, channel X inverting receiver input. |
| 16 | 16 | 22 | V_{CC} | System power supply input (3.0V to 5.5V). On devices with a V_L pin, power up V_{CC} first. |
| - | - | 21 | V_L | Logic power supply input (1.4V to V_{CC}) that powers all the TTL/CMOS inputs and outputs (logic pins). V_L sets the V_{IH} and V_{IL} levels of the enable and SHDNEN pins, and sets the V_{OH} level of the RO pins. Connect the V_L pin to the lower voltage power supply of a logic device (e.g., UART or μ controller) interfacing with the ISL32X77E logic pins. Power up this supply after V_{CC} , and keep $V_L \leq V_{CC}$. To minimize input current and SHDN supply current, logic pins that are strapped high externally (preferably through a 1k Ω resistor) should connect to V_{CC} , but they may also connect to V_L . (ISL32X77E only) |
| - | - | 5, 14 | NC | No Connection. |

Ordering Information

| PART NUMBER (Notes 1, 2, 3) | PART MARKING | TEMP. RANGE (°C) | PACKAGE (Pb-Free) | PKG. DWG. # |
|--------------------------------|-----------------|---------------------|----------------------|----------------|
| ISL32173EIBZ | ISL32173 EIBZ | -40 to +85 | 16 Ld SOIC | M16.15 |
| ISL32173EFBZ | ISL32173 EFBZ | -40 to +125 | 16 Ld SOIC | M16.15 |
| ISL32173EIVZ | 32173 EIVZ | -40 to +85 | 16 Ld TSSOP | MDP0044 |
| ISL32173EFVZ | 32173 EFVZ | -40 to +125 | 16 Ld TSSOP | MDP0044 |
| ISL32175EIBZ | ISL32175 EIBZ | -40 to +85 | 16 Ld SOIC | M16.15 |
| ISL32175EFBZ | ISL32175 EFBZ | -40 to +125 | 16 Ld SOIC | M16.15 |
| ISL32175EIVZ | 32175 EIVZ | -40 to +85 | 16 Ld TSSOP | MDP0044 |
| ISL32175EFVZ | 32175 EFVZ | -40 to +125 | 16 Ld TSSOP | MDP0044 |
| ISL32177EIRZ | 321 77EIRZ | -40 to +85 | 24 Ld QFN | L24.4x4C |
| ISL32177EFRZ | 321 77EFRZ | -40 to +125 | 24 Ld QFN | L24.4x4C |
| ISL32273EIBZ | ISL32273 EIBZ | -40 to +85 | 16 Ld SOIC | M16.15 |
| ISL32273EFBZ | ISL32273 EFBZ | -40 to +125 | 16 Ld SOIC | M16.15 |
| ISL32273EIVZ | 32273 EIVZ | -40 to +85 | 16 Ld TSSOP | MDP0044 |
| ISL32273EFVZ | 32273 EFVZ | -40 to +125 | 16 Ld TSSOP | MDP0044 |
| ISL32275EIBZ | ISL32275 EIBZ | -40 to +85 | 16 Ld SOIC | M16.15 |
| ISL32275EFBZ | ISL32275 EFBZ | -40 to +125 | 16 Ld SOIC | M16.15 |
| ISL32275EIVZ | 32275 EIVZ | -40 to +85 | 16 Ld TSSOP | MDP0044 |
| ISL32275EFVZ | 32275 EFVZ | -40 to +125 | 16 Ld TSSOP | MDP0044 |
| ISL32277EIRZ | 322 77EIRZ | -40 to +85 | 24 Ld QFN | L24.4x4C |
| ISL32277EFRZ | 322 77EFRZ | -40 to +125 | 24 Ld QFN | L24.4x4C |

NOTES:

1. Add "-T" suffix for tape and reel. Please refer to [TB347](#) for details on reel specifications.
2. These Intersil Pb-free plastic packaged products employ special Pb-free material sets, molding compounds/die attach materials, and 100% matte tin plate plus anneal (e3 termination finish, which is RoHS compliant and compatible with both SnPb and Pb-free soldering operations). Intersil Pb-free products are MSL classified at Pb-free peak reflow temperatures that meet or exceed the Pb-free requirements of IPC/JEDEC J STD-020.
3. For Moisture Sensitivity Level (MSL), please see device information page for [ISL32173E](#), [ISL32175E](#), [ISL32177E](#), [ISL32273E](#), [ISL32275E](#), [ISL32277E](#). For more information on MSL please see techbrief [TB363](#).

Truth Tables

| RECEIVER OUTPUT (ROX ENABLED, ALL VERSIONS) | |
|---|-------------|
| INPUTS (A-B) | OUTPUT (RO) |
| ≥0.2V | 1 |
| ≤-0.2V | 0 |
| Inputs Open (Floating) | 1 |

| RECEIVER ENABLE (ISL32173E, ISL32273E) | | |
|--|------------------------|-----------|
| INPUTS | | OUTPUTS |
| EN | $\overline{\text{EN}}$ | ROX |
| X | 0 | ENABLED |
| 1 | X | ENABLED |
| 0 | 1 | DISABLED* |

NOTE: *Low Power SHDN Mode When Disabled

Truth Tables (Continued)

| RECEIVER ENABLE (ISL32175E, ISL32275E) | | | | | |
|--|------|---------|-----|-----|-----|
| INPUTS | | OUTPUTS | | | |
| EN12 | EN34 | RO1 | RO2 | RO3 | RO4 |
| 0 | 0 | Z* | Z* | Z* | Z* |
| 0 | 1 | Z | Z | EN | EN |
| 1 | 0 | EN | EN | Z | Z |
| 1 | 1 | EN | EN | EN | EN |

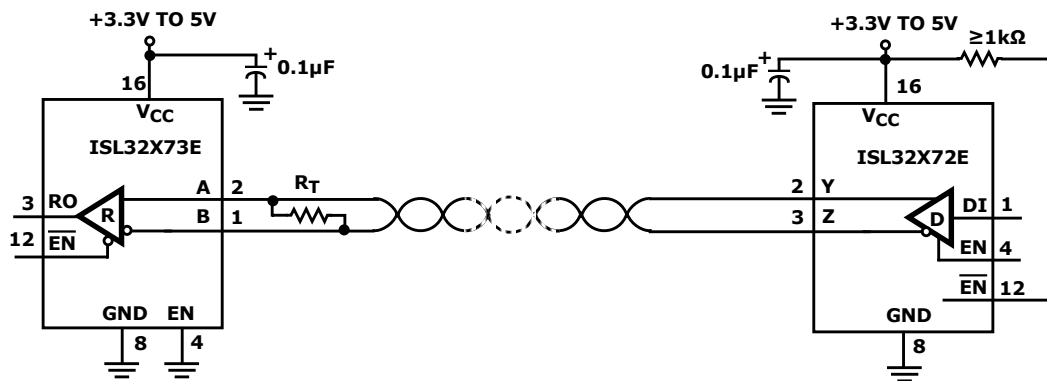
NOTE: *Low Power SHDN Mode When All Outputs Disabled;
Z = Tri-state

| RECEIVER ENABLE (ISL32177E, ISL32277E) | | | | | |
|--|----|------------------------|--------|---------|------------------------------|
| INPUTS | | | | OUTPUTS | |
| ENX | EN | $\overline{\text{EN}}$ | SHDNEN | ROX | COMMENTS |
| 0 | X | X | 0 | Z | Chan X output disabled |
| EN1-4 = 0 | X | X | 1 | Z* | All outputs disabled |
| X | 0 | 1 | 0 | Z | All outputs disabled |
| X | 0 | 1 | 1 | Z* | All outputs disabled |
| 1 | X | 0 | X | EN | Individual ENX controls chan |
| 1 | 1 | X | X | EN | |

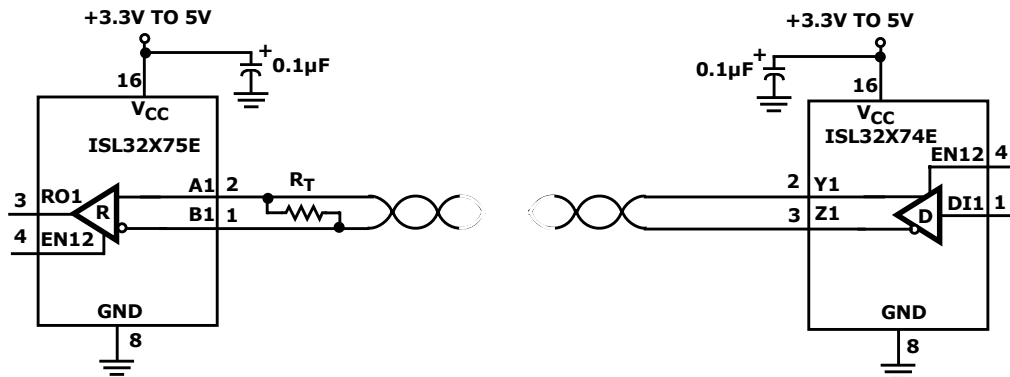
NOTE: * Low Power SHDN Mode; Z = Tri-state

Typical Operating Circuits (1 of 4 Channels Shown)

NETWORK USING GROUP ENABLES



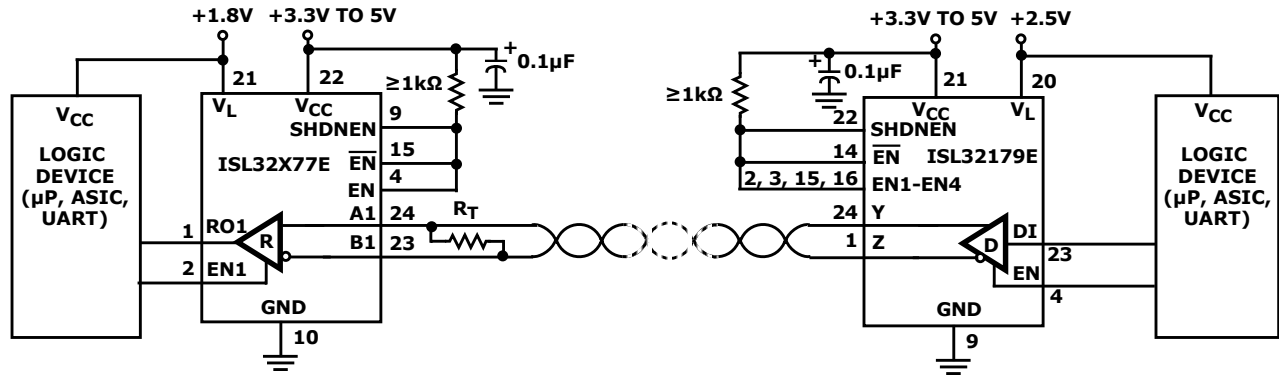
NETWORK USING PAIRED ENABLES



www.DataSheet4U.com

Typical Operating Circuits (1 of 4 Channels Shown) (Continued)

NETWORK WITH V_L PIN FOR INTERFACING TO LOWER VOLTAGE LOGIC DEVICES



USING INDIVIDUAL CHANNEL ENABLES AND CONFIGURED FOR LOWEST SHDN SUPPLY CURRENT
NOTE: POWER UP V_{CC} BEFORE V_L

USING ACTIVE HIGH GROUP ENABLE AND CONFIGURED FOR LOWEST SHDN SUPPLY CURRENT
NOTE: POWER UP V_{CC} BEFORE V_L

Absolute Maximum Ratings

V_{CC} to GND 7V
 V_L to GND (Note 4) -0.3V to (V_{CC} +0.3V)
 Input Voltages
 EN (All varieties) -0.3V to 7V
 A, B -9V to +13V
 Output Voltages
 RO (Note 5) -0.5V to (V_{CC} + 0.3V)
 RO (Note 4) -0.5V to (V_L + 0.3V)
 Short Circuit Duration
 RO (One output at a time) Indefinite
 ESD Rating See "Electrical Specifications" Table

Thermal Information

Thermal Resistance (Typical) θ_{JA} (°C/W) θ_{JC} (°C/W)
 16 Ld SOIC Package (Notes 6, 9) 78 30
 16 Ld TSSOP Package (Notes 6, 9) 104 25
 24 Ld QFN Package (Notes 7, 8) 42 5
 Maximum Junction Temperature (Plastic Package) +150°C
 Maximum Storage Temperature Range -65°C to +150°C
 Pb-Free Reflow Profile see link below
<http://www.intersil.com/pbfree/Pb-FreeReflow.asp>

Recommended Operating Conditions

Supply Voltages
 V_{CC} 3V to 5.5V
 V_L (Note 4) 1.6V to V_{CC}
 Temperature Range
 ISL32X7XEI -40°C to +85°C
 ISL32X7XEF -40°C to +125°C
 Bus Pin Common Mode Voltage Range -7V to +12V
 RO Output Current -9mA to +9mA
 RO Load Capacitance ≤6pF

CAUTION: Do not operate at or near the maximum ratings listed for extended periods of time. Exposure to such conditions may adversely impact product reliability and result in failures not covered by warranty.

NOTES:

4. ISL32177E and ISL32277E only.
5. Excluding the ISL32177E and ISL32277E.
6. θ_{JA} is measured with the component mounted on a high effective thermal conductivity test board in free air. See Tech Brief TB379 for details.
7. θ_{JA} is measured in free air with the component mounted on a high effective thermal conductivity test board with "direct attach" features. See Tech Brief TB379 for details.
8. For θ_{JC}, the "case temp" location is the center of the exposed metal pad on the package underside.
9. For θ_{JC}, the "case temp" location is taken at the package top center.

Electrical Specifications Test Conditions: V_{CC} = 3.0V to 5.5V; V_L = V_{CC} (ISL32177E and ISL32277E only); Typicals are at the worst case of V_{CC} = 3.3V or V_{CC} = 5V, T_A = +25°C; Unless Otherwise Specified. **Boldface limits apply over the operating temperature range.** (Notes 10, 14)

| PARAMETER | SYMBOL | TEST CONDITIONS | TEMP (°C) | MIN (Note 13) | TYP | MAX (Note 13) | UNITS |
|--|------------------|---|------------------------|---------------|---------------------------|---------------------------|-------|
| DC CHARACTERISTICS | | | | | | | |
| Input High Voltage (Logic Pins, Note 17) | V _{IH1} | V _L = V _{CC} if ISL32177E or ISL32277E | V _{CC} ≤ 3.6V | Full | 2 | - | V |
| | V _{IH2} | | V _{CC} ≤ 5.5V | Full | 2.2 | - | V |
| | V _{IH3} | 2.7V ≤ V _L < 3.0V (ISL32177E and ISL32277E Only) | | Full | 2 | - | V |
| | V _{IH4} | 2.3V ≤ V _L < 2.7V (ISL32177E and ISL32277E Only) | | Full | 1.6 | - | V |
| | V _{IH5} | 1.6V ≤ V _L < 2.3V (ISL32177E and ISL32277E Only) | | Full | 0.72*V_L | - | V |
| | V _{IH6} | 1.4V ≤ V _L < 1.6V (ISL32177E and ISL32277E Only) | | 25 | - | 0.4*V _L | V |
| Input Low Voltage (Logic Pins, Note 17) | V _{IL1} | V _L = V _{CC} if ISL32177E and ISL32277E | | Full | - | 0.8 | V |
| | V _{IL2} | V _L ≥ 2.7V (ISL32177E and ISL32277E Only) | | Full | - | 0.6 | V |
| | V _{IL3} | 2.3V ≤ V _L < 2.7V (ISL32177E and ISL32277E Only) | | Full | - | 0.6 | V |
| | V _{IL4} | 1.6V ≤ V _L < 2.3V (ISL32177E and ISL32277E Only) | | Full | - | 0.22*V_L | V |
| | V _{IL5} | 1.4V ≤ V _L < 1.6V (ISL32177E and ISL32277E Only) | | 25 | | 0.35*V _L | V |

Electrical Specifications Test Conditions: $V_{CC} = 3.0V$ to $5.5V$; $V_L = V_{CC}$ (ISL32177E and ISL32277E only); Typicals are at the worst case of $V_{CC} = 3.3V$ or $V_{CC} = 5V$, $T_A = +25^\circ C$; Unless Otherwise Specified. **Boldface limits apply over the operating temperature range.** (Notes 10, 14) **(Continued)**

| PARAMETER | SYMBOL | TEST CONDITIONS | | TEMP (°C) | MIN (Note 13) | TYP | MAX (Note 13) | UNITS |
|---|-----------------|--|------------------------------|-----------|--------------------------------|-----|-----------------------------|------------|
| Logic Input Current | I_{IN1} | EN, \overline{EN} , ENX, SHDNEN = 0V or V_{CC} | | Full | -15 | - | 15 | μA |
| | I_{IN2} | EN12, EN34 = 0V or V_{CC} (ISL32X75E Only) | | Full | -30 | - | 30 | μA |
| Receiver Differential Threshold Voltage | V_{TH} | $-7V \leq V_{CM} \leq 12V$ | | Full | -200 | - | 200 | mV |
| Receiver Input Hysteresis | ΔV_{TH} | $V_{CM} = 0V$ | | 25 | - | 30 | - | mV |
| Input Current (A, B) | I_{IN3} | $V_{CC} = 0V$ or $5.5V$ | $V_{IN} = 12V$ | Full | - | - | 0.2 | mA |
| | | | $V_{IN} = -7V$ | Full | -0.2 | - | - | mA |
| Receiver Input Resistance | R_{IN} | $-7V \leq V_{CM} \leq 12V$ | | Full | 48 | - | - | k Ω |
| Receiver Output Leakage Current | I_{OZ} | EN = 0V, $0 \leq V_O \leq V_{CC}$ (0 to V_L if ISL32177E or ISL32277E) | | Full | -10 | - | 10 | μA |
| Receiver Short-Circuit Current, $V_O =$ High or Low | I_{OS} | EN = 1, $0V \leq V_O \leq V_{CC}$ (0 to V_L if ISL32177E or ISL32277E) | 20Mbps Versions | Full | - | - | ± 100 | mA |
| | | | 80Mbps Versions | Full | - | - | ± 155 | mA |
| Receiver Output High Voltage | V_{OH1} | $I_O = -8mA$, $V_{ID} = 200mV$ ($V_L = V_{CC}$ if ISL32177E or ISL32277E) | $V_{CC} \geq 4.5V$ | Full | $V_{CC} - 1$ | - | - | V |
| | | $I_O = -6mA$, $V_{ID} = 200mV$ ($V_L = V_{CC}$ if ISL32177E or ISL32277E) | $V_{CC} \geq 3.0V$ | Full | 2.4 | - | - | V |
| | V_{OH2} | $I_O = -2mA$, $V_L \geq 2.3V$ | ISL32177E and ISL32277E Only | Full | $V_L - 0.3$ | - | - | V |
| | V_{OH3} | $I_O = -1.5mA$, $V_L = 1.8V$ | | Full | $V_L - 0.3$ | - | - | V |
| | V_{OH4} | $I_O = -200\mu A$, $V_L \geq 1.4V$ | | Full | $V_L - 0.2$ | - | - | V |
| Receiver Output Low Voltage | V_{OL1} | $I_O = 8mA$, $V_{ID} = -200mV$, $V_L = V_{CC}$ if ISL32177E, ISL32277E | | Full | - | - | 0.4 | V |
| | V_{OL2} | $I_O = 5mA$, $V_L \geq 1.8V$ | ISL32177E and ISL32277E Only | Full | - | - | 0.4 | V |
| | V_{OL3} | $I_O = 2mA$, $V_L \geq 1.4V$ | ISL32177E and ISL32277E Only | Full | - | - | 0.4 | V |
| SUPPLY CURRENT | | | | | | | | |
| No-Load Supply Current, 80Mbps Versions | $80I_{CC}$ | EN = 1, or $\overline{EN} = 0$ (ISL32173E and ISL32177E), or EN12 = EN34 = 1 (ISL32175E), or EN1 = EN2 = EN3 = EN4 = 1 (ISL32177E) | | Full | - | - | 15 | mA |
| | $80I_{CC1/2}$ | EN12 = 1 and EN34 = 0, or vice versa (ISL32175E only), or if only two channels are enabled on the ISL32177E | | Full | - | - | 8.5 | mA |
| | $80I_{CCD}$ | SHDNEN = 0, EN1 = EN2 = EN3 = EN4 = 0 or EN = 0 and $\overline{EN} = 1$ (ISL32177E only) | | Full | - | - | 2.5 | mA |

Electrical Specifications Test Conditions: $V_{CC} = 3.0V$ to $5.5V$; $V_L = V_{CC}$ (ISL32177E and ISL32277E only); Typical values are at the worst case of $V_{CC} = 3.3V$ or $V_{CC} = 5V$, $T_A = +25^\circ C$; Unless Otherwise Specified. **Boldface limits apply over the operating temperature range.** (Notes 10, 14) (Continued)

| PARAMETER | SYMBOL | TEST CONDITIONS | TEMP (°C) | MIN (Note 13) | TYP | MAX (Note 13) | UNITS |
|---|---------------|--|-----------|---------------|-----|---------------|---------|
| No-Load Supply Current, 20Mbps Versions | $20I_{CC}$ | EN = 1, or $\overline{EN} = 0$ (ISL32273E and ISL32277E), or EN12 = EN34 = 1 (ISL32275E), or EN1 = EN2 = EN3 = EN4 = 1 (ISL32277E) | Full | - | - | 5.5 | mA |
| | $20I_{CC1/2}$ | EN12 = 1 and EN34 = 0, or vice versa (ISL32275E only), or if only two channels are enabled on the ISL32277E | Full | - | - | 3.5 | mA |
| | $20I_{CCD}$ | SHDNEN = 0, EN1 = EN2 = EN3 = EN4 = 0 or EN = 0 and $\overline{EN} = 1$ (ISL32277E only) | Full | - | - | 1.2 | mA |
| Shutdown Supply Current | I_{SHDN} | All outputs disabled (Note 18) (all except ISL32X75E) | Full | - | - | 15 | μA |
| | | All outputs disabled (Note 19) (all except ISL32X73E) | Full | - | - | 60 | μA |

ESD PERFORMANCE

| | | | | | | | | |
|--------------------|--|--|---------|----|---|------------|---|----|
| RS-485 Pins (A, B) | | IEC61000-4-2, From Bus Pins to GND | Air Gap | 25 | - | ± 16.5 | - | kV |
| | | | Contact | 25 | - | ± 8 | - | kV |
| | | Human Body Model, From Bus Pins to GND | | 25 | - | ± 15 | - | kV |
| All Pins | | HBM | | 25 | - | ± 8 | - | kV |
| | | Machine Model | | 25 | - | 500 | - | V |

RECEIVER SWITCHING CHARACTERISTICS (ISL32273E, ISL32275E, ISL32277E, 20Mbps)

| | | | | | | | |
|--|-----------------------|--|------|-----------|-----|------------|------|
| Maximum Data Rate | f_{MAX} | $V_{ID} = \pm 1.5V$, $C_L = 15pF$ | Full | 20 | - | - | Mbps |
| Receiver Input to Output Delay | t_{PLH} , t_{PHL} | (Figure 1) | Full | - | 37 | 55 | ns |
| Receiver Skew $t_{PLH} - t_{PHL}$ | t_{SKD} | (Figure 1) | Full | - | 2.7 | 6 | ns |
| Prop Delay Skew Chan-to-Chan | t_{SKC-C} | (Figure 1), (Note 11) | Full | - | 3 | 8 | ns |
| Prop Delay Skew Part-to-Part | t_{SKP-P} | (Figure 1), (Note 12) | Full | - | 4 | 20 | ns |
| Receiver Enable to Output High | t_{ZH} | $R_L = 1k\Omega$, $C_L = 15pF$, SW = GND (Figure 2), (Notes 15, 21) | Full | - | 150 | 190 | ns |
| Receiver Enable to Output Low | t_{ZL} | $R_L = 1k\Omega$, $C_L = 15pF$, SW = V_{CC} (Figure 2), (Notes 15, 21) | Full | - | 155 | 190 | ns |
| Receiver Disable from Output High | t_{HZ} | $R_L = 1k\Omega$, $C_L = 15pF$, SW = GND (Figure 2) | Full | - | 19 | 30 | ns |
| Receiver Disable from Output Low | t_{LZ} | $R_L = 1k\Omega$, $C_L = 15pF$, SW = V_{CC} (Figure 2) | Full | - | 19 | 30 | ns |
| Receiver Enable from Shutdown to Output High | $t_{ZH(SHDN)}$ | $R_L = 1k\Omega$, $C_L = 15pF$, SW = GND (Figure 2), (Notes 16, 20) | Full | - | - | 850 | ns |
| Receiver Enable from Shutdown to Output Low | $t_{ZL(SHDN)}$ | $R_L = 1k\Omega$, $C_L = 15pF$, SW = V_{CC} (Figure 2), (Notes 16, 20) | Full | - | - | 850 | ns |

RECEIVER SWITCHING CHARACTERISTICS (ISL32173E, ISL32175E, ISL32177E, 80Mbps)

| | | | | | | | | |
|-------------------|-----------|---|--------------------|-----------|-----------|---|------|------|
| Maximum Data Rate | f_{MAX} | $V_{ID} = \pm 1.5V$, $C_L \leq 15pF$ | $V_{CC} \leq 3.6V$ | Full | 80 | - | - | Mbps |
| | | | $V_{CC} > 3.6V$ | Full | 20 | - | - | Mbps |
| | | $V_{ID} = \pm 1.5V$, $C_L \leq 6pF$, $3.6V \leq V_{CC} \leq 5.5V$ | Full | 80 | - | - | Mbps | |

Electrical Specifications Test Conditions: $V_{CC} = 3.0V$ to $5.5V$; $V_L = V_{CC}$ (ISL32177E and ISL32277E only); Typicals are at the worst case of $V_{CC} = 3.3V$ or $V_{CC} = 5V$, $T_A = +25^\circ C$; Unless Otherwise Specified. **Boldface limits apply over the operating temperature range.** (Notes 10, 14) **(Continued)**

| PARAMETER | SYMBOL | TEST CONDITIONS | TEMP (°C) | MIN (Note 13) | TYP | MAX (Note 13) | UNITS |
|--|--------------------|--|-----------|---------------|-----|---------------|-------|
| Receiver Input to Output Delay | t_{PLH}, t_{PHL} | (Figure 1) | Full | 7 | 11 | 16 | ns |
| Receiver Skew $ t_{PLH} - t_{PHL} $ | t_{SKD} | (Figure 1) | Full | - | 0.4 | 2 | ns |
| Prop Delay Skew Chan-to-Chan | t_{SKC-C} | (Figure 1), (Note 11) | Full | - | 0.7 | 4 | ns |
| Prop Delay Skew Part-to-Part | t_{SKP-P} | (Figure 1), (Note 12) | Full | - | 1.2 | 8 | ns |
| Receiver Enable to Output High | t_{ZH} | $R_L = 1k\Omega, C_L = 15pF, SW = GND$ (Figure 2), (Notes 15, 21) | Full | - | 57 | 75 | ns |
| Receiver Enable to Output Low | t_{ZL} | $R_L = 1k\Omega, C_L = 15pF, SW = V_{CC}$ (Figure 2), (Notes 15, 21) | Full | - | 59 | 75 | ns |
| Receiver Disable from Output High | t_{HZ} | $R_L = 1k\Omega, C_L = 15pF, SW = GND$ (Figure 2) | Full | - | 18 | 30 | ns |
| Receiver Disable from Output Low | t_{LZ} | $R_L = 1k\Omega, C_L = 15pF, SW = V_{CC}$ (Figure 2) | Full | - | 19 | 30 | ns |
| Receiver Enable from Shutdown to Output High | $t_{ZH}(SHDN)$ | $R_L = 1k\Omega, C_L = 15pF, SW = GND$ (Figure 2), (Notes 16, 20) | Full | - | - | 850 | ns |
| Receiver Enable from Shutdown to Output Low | $t_{ZL}(SHDN)$ | $R_L = 1k\Omega, C_L = 15pF, SW = V_{CC}$ (Figure 2), (Notes 16, 20) | Full | - | - | 850 | ns |

NOTES:

10. All currents into device pins are positive; all currents out of device pins are negative. All voltages are referenced to device ground unless otherwise specified.
11. Channel-to-channel skew is the magnitude of the worst case delta between any two propagation delays of any two outputs on the same IC, at the same test conditions.
12. t_{SKP-P} is the magnitude of the difference in propagation delays of the specified terminals of two units tested with identical test conditions (V_{CC} , temperature, etc.).
13. Parameters with MIN and/or MAX limits are 100% tested at $+25^\circ C$, unless otherwise specified. Temperature limits established by characterization and are not production tested.
14. EN = 0 indicates that the output(s) under test are disabled via the appropriate logic pin settings. EN = 1 indicates that the logic pins are set to enable the output(s) under test.
15. For ISL32177E and ISL32277E, keep SHDNEN low to avoid entering SHDN. For ISL32175E and ISL32275E ensure that at least one channel remains enabled to prevent SHDN.
16. For ISL32177E and ISL32277E, keep SHDNEN high to enter SHDN when all drivers are disabled.
17. Logic Pins are the enable variants and SHDNEN.
18. EN low and \overline{EN} high on the ISL32X73E. SHDNEN, \overline{EN} , EN1-EN4 all high and EN low on the ISL32X77E.
19. EN12 and EN34 low on ISL32X75E. SHDNEN high, with EN1-EN4 low plus EN and \overline{EN} high on the ISL32X77E.
20. Shutdown is entered by simultaneously disabling all four outputs for at least 600ns.
21. Does not apply to the ISL32173E nor the ISL32273E; only the EN from SHDN parameters apply to these two parts.

Test Circuits and Waveforms

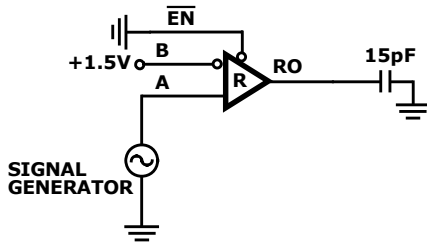


FIGURE 1A. TEST CIRCUIT

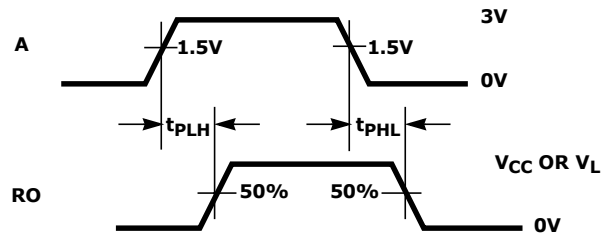
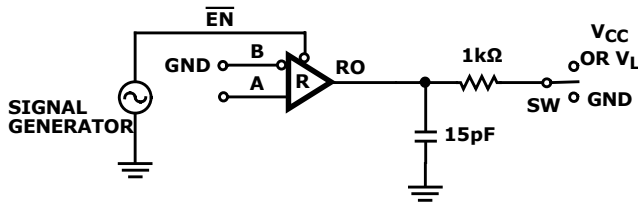


FIGURE 1B. MEASUREMENT POINTS

FIGURE 1. RECEIVER PROPAGATION DELAY



| PARAMETER | A | SW |
|-------------------------------|-------|----------|
| t_{HZ} | +1.5V | GND |
| t_{LZ} | -1.5V | V_{CC} |
| t_{ZH} (Notes 15, 21) | +1.5V | GND |
| t_{ZL} (Notes 15, 21) | -1.5V | V_{CC} |
| $t_{ZH}(SHDN)$ (Notes 16, 20) | +1.5V | GND |
| $t_{ZL}(SHDN)$ (Notes 16, 20) | -1.5V | V_{CC} |

FIGURE 2A. TEST CIRCUIT

FIGURE 2. RECEIVER ENABLE AND DISABLE TIMES

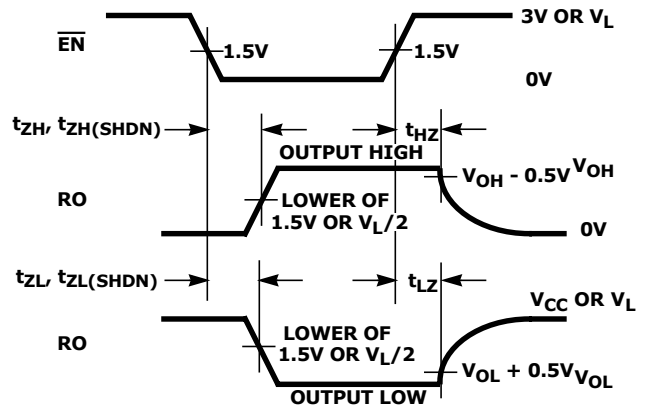


FIGURE 2B. MEASUREMENT POINTS

Application Information

RS-485 and RS-422 are differential (balanced) data transmission standards for use in long haul or noisy environments. RS-422 is a subset of RS-485, so RS-485 transceivers are also RS-422 compliant. RS-422 is a point-to-multipoint (multidrop) standard, which allows only one driver and up to 10 (assuming one unit load devices) receivers on each bus. RS-485 is a true multipoint standard, which allows up to 32 one unit load devices (any combination of drivers and receivers) on each bus.

Another important advantage of RS-485 is the extended common mode range (CMR), which specifies that the driver outputs and receiver inputs withstand signals that range from +12V to -7V. RS-422 and RS-485 are intended for runs as long as 4000', so the wide CMR is necessary to handle ground potential differences, as well as voltages induced in the cable by external fields.

Receiver Features

These devices utilize differential receivers for maximum noise immunity and common mode rejection. Input sensitivity is better than $\pm 200\text{mV}$, as required by the RS-422 and RS-485 specifications.

Receiver input resistance of $48\text{k}\Omega$ surpasses the RS-422 specification of $4\text{k}\Omega$ and is four times the RS-485 "Unit

Load (UL)" requirement of $12\text{k}\Omega$ minimum. Thus, these products are known as "one-quarter UL" receivers and there can be up to 128 of these devices on a network while still complying with the RS-485 loading specification.

Receiver inputs function with common mode voltages as great as $+9\text{V}/-7\text{V}$ outside the power supplies (i.e., $+12\text{V}$ and -7V with $V_{CC} = 3.0\text{V}$), making them ideal for long networks where induced voltages, and ground potential differences are realistic concerns.

All the receivers include a "fail-safe open" function that guarantees a high level receiver output if the receiver inputs are unconnected (floating).

All receivers easily support a 20Mbps data rate, and the ISL32173E, ISL32175E, and ISL32177E support data rates up to 80Mbps. All receiver outputs are tri-statable, with the enable scheme varying by part type (see next section).

Receiver Enable Functions

All product types include functionality to allow disabling of the Rx outputs. The ISL32X73E types feature group (all four Rx) enable functions that are active high (EN) or active low ($\overline{\text{EN}}$). Receivers enable when $\text{EN} = 1$, or when $\overline{\text{EN}} = 0$, and they disable only when $\text{EN} = 0$ and $\overline{\text{EN}} = 1$. ISL32X75E versions use active high paired enable

functions (EN12 and EN34) that enable (when high) or disable (when low) the corresponding pairs of Rx. All four of these enable pins have internal pull-up resistors to V_{CC} , but unused enable pins that need to be high (e.g., \overline{EN} when using the EN input for enable control, or EN12 and EN34 when using always enabled receivers) should always be connected externally to V_{CC} . If V_{CC} transients might exceed 7V, then inserting a series resistor between the input(s) and V_{CC} limits the current that flows if the input's ESD protection starts conducting.

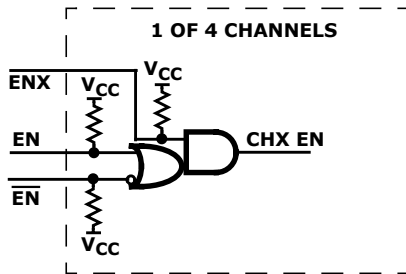


FIGURE 3. ISL32X77E ENABLE LOGIC

The ISL32177E and ISL32277E have the most flexible enable scheme. Their six enable pins allow for group, paired, or individual channel enable control. Figure 3 details the ISL32X77E's internal enable logic. To utilize a group enable function, connect all the ENX pins high, and handle the EN and \overline{EN} pins as described in the previous paragraph. For paired enables, connect EN and \overline{EN} high (for the lowest current in SHDN mode, if SHDN is used) and tie EN1 and EN2 together, and EN3 and EN4 together. For individual channel enables, again connect EN and \overline{EN} high, and drive the appropriate ENX (active high) for the particular channel. All six enable pins incorporate pull-up resistors to V_{CC} , but unused enable pins of any type should be externally connected high, rather than being left floating. Connecting to V_{CC} is the best choice, but V_L may be utilized as long as SHDN power isn't a primary concern (for each V_L connected input, I_{CC} increases by $(V_{CC} - V_L)/600k\Omega$). If V_{CC} or V_L transients might exceed 7V, then inserting a series resistor between the input(s) and the supply limits the current that will flow if the input's ESD protection starts conducting.

Wide Supply Range

The ISL32X7XE design operates with a wide range of supply voltages from 3.0V to 5.5V, and the receivers meet the RS-485 specs for that full supply voltage range.

5.5V TOLERANT LOGIC PINS

Logic input pins (enables, SHDNEN) contain no ESD nor parasitic diodes to V_{CC} (nor to V_L), so they withstand input voltages exceeding 5.5V regardless of the V_{CC} and V_L voltages (see Figure 6).

Logic Supply (V_L Pin, ISL32177E and ISL32277E)

Note: Power up V_{CC} before powering up the V_L supply.

The ISL32177E and ISL32277E include a V_L pin that powers the logic inputs (enables, SHDNEN) and the RO outputs. These pins interface with "logic" devices such as UARTs, ASICs, and μ controllers, and today most of these devices use power supplies significantly lower than 3.3V. Thus, a 5V or 3.3V RO output level from an ISL32X77E IC might seriously overdrive and damage the logic device input (Figure 4). Similarly, the logic device's low V_{OH} might not exceed the V_{IH} of the ISL32X77E's 3.3V or 5V powered enable input. Connecting the ISL32X77E's V_L pin to the power supply of the logic device - as shown in Figure 4 - limits the ISL32X77E's V_{OH} to V_L , and reduces its logic input switching points to values compatible with the logic device's output levels. Tailoring the logic pin input switching points and RO output levels to the supply voltage of the UART, ASIC, or μ controller eliminates the need for a level shifter/translator between the two ICs.

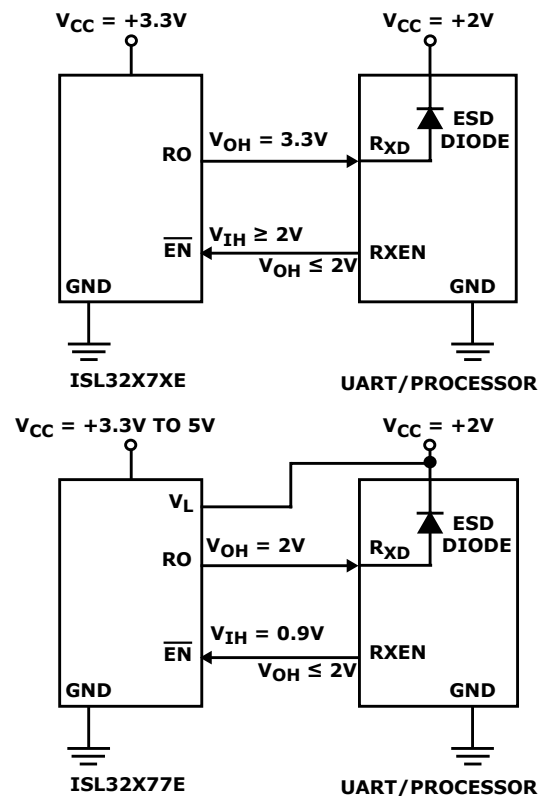


FIGURE 4. USING V_L PIN TO ADJUST LOGIC LEVELS

V_L can be anywhere from V_{CC} down to 1.4V, but the data rate drops off dramatically below $V_L = 1.6V$. Table 2 indicates typical V_{IH} and V_{IL} values (applicable to both speed grades) for various V_L settings, and also lists the ISL32177E's typical data rate versus V_L . The ISL32277E typically runs at 20Mbps for $V_L \geq 1.6V$, and drops to 10Mbps to 15Mbps at $V_L = 1.4V$. Prop delays, skews, and transition times increase at lower V_L , as shown in Figures 17 through 29.

TABLE 2. TYPICAL V_{IH} , V_{IL} AND DATA RATE vs. V_L FOR $V_{CC} = 3.3V$ OR $5V$

| V_L (V) | V_{IH} (V) | V_{IL} (V) | ISL32177E DATA RATE (Mbps) |
|--------------|-----------------|-----------------|----------------------------------|
| 1.4 | 0.55 | 0.5 | 25 |
| 1.6 | 0.6 | 0.55 | 50 |
| 1.8 | 0.8 | 0.7 | 65 |
| 2.3 | 1 | 0.9 | 70 |
| 2.7 | 1.1 | 1 | 75 |
| 3.3 | 1.3 | 1.2 | 80 |

Neglecting the RO I_{OH} currents, the quiescent V_L supply current (I_L) is typically less than $1\mu A$ for enable input voltages at ground or V_L , as shown in Figure 6. Enable pin pull-up resistors connect to V_{CC} , so the current due to a low enable input adds to I_{CC} rather than to I_L .

Hot Plug Function

When a piece of equipment powers up, there is a period of time where the processor or ASIC driving the RS-485 control lines (EN, \overline{EN} , ENX) is unable to ensure that the RS-485 Rx outputs are kept disabled. If the equipment is connected to the bus, a receiver activating prematurely during power up may generate RO transitions that could cause interrupts. To avoid this scenario, this family incorporates a "Hot Plug" function. During power up, circuitry monitoring V_{CC} ensures that the Rx outputs remain disabled for a period of time, regardless of the state of the enables. This gives the processor/ASIC a chance to stabilize and drive the RS-485 control lines to the proper states.

ESD Protection

All pins on these devices include class 3 (>8kV) Human Body Model (HBM) ESD protection structures, but the RS-485 pins (receiver inputs) incorporate advanced structures allowing them to survive ESD events in excess of $\pm 15kV$ HBM, and $\pm 16.5kV$ IEC 61000-4-2. The RS-485 pins are particularly vulnerable to ESD damage because they typically connect to an exposed port on the exterior of the finished product. Simply touching the port pins, or connecting a cable, can cause an ESD event that might destroy unprotected ICs. These new ESD structures protect the device whether or not it is powered up, and without degrading the RS-485 common mode range of -7V to +12V. This built-in ESD protection eliminates the need for board level protection structures (e.g., transient suppression diodes), and the associated, undesirable capacitive load they present.

IEC 61000-4-2 Testing

The IEC 61000 test method applies to finished equipment, rather than to an individual IC. Therefore, the pins most likely to suffer an ESD event are those that are exposed to the outside world (the RS-485 pins in this case), and the IC is tested in its typical application

configuration (power applied) rather than testing each pin-to-pin combination. The lower current limiting resistor coupled with the larger charge storage capacitor yields a test that is much more severe than the HBM test. The extra ESD protection built into this device's RS-485 pins allows the design of equipment meeting level 4 criteria without the need for additional board level protection on the RS-485 port.

AIR-GAP DISCHARGE TEST METHOD

For this test method, a charged probe tip moves toward the IC pin until the voltage arcs to it. The current waveform delivered to the IC pin depends on approach speed, humidity, temperature, etc., so it is difficult to obtain repeatable results. The A and B RS-485 pins withstand $\pm 16.5kV$ air-gap discharges.

CONTACT DISCHARGE TEST METHOD

During the contact discharge test, the probe contacts the tested pin before the probe tip is energized, thereby eliminating the variables associated with the air-gap discharge. These Quad receivers survive $\pm 8kV$ contact discharges on the RS-485 pins.

Data Rate, Cables, and Terminations

RS-485 and RS-422 are intended for network lengths up to 4000', but the maximum system data rate decreases as the transmission length increases. Networks operating at 80Mbps are limited to lengths much less than 100' (30m), while a 20Mbps version can operate at full data rates with lengths up to 200' (60m).

Any of these ICs may be used at slower data rates over longer cables, but there are some limitations for the 80Mbps versions. The 80Mbps Rx is optimized for high speed operation, so its output may glitch if the Rx input differential transition times are too slow. Keeping the transition times below 500ns, which equates to a Tx driving a 1000' (305m) CAT 5 cable, yields excellent performance over the full operating temperature range.

Twisted pair is the cable of choice for RS-485 and RS-422 networks. Twisted pair cables tend to pick up noise and other electromagnetically induced voltages as common mode signals, which are effectively rejected by the differential receivers in these ICs.

When using these receivers, proper termination is imperative to minimize reflections. Short networks using slew rate limited transmitters need not be terminated, but terminations are recommended unless power dissipation is an overriding concern.

In point-to-point, or point-to-multipoint (single driver on a bus with multiple receivers) networks, the main cable should be terminated in its characteristic impedance (typically 120Ω) at the end farthest from the driver. In multi-receiver applications, stubs connecting receivers to the main cable should be kept as short as possible. Multipoint (multi-driver) systems require that the main cable be terminated in its characteristic impedance at

both ends. Stubs connecting a transmitter or receiver to the main cable should be kept as short as possible.

Low Power Shutdown Mode

These BiCMOS receivers all use a fraction of the power required by their bipolar counterparts, but they also include a shutdown (SHDN) feature that reduces the already low quiescent ICC to a microamp trickle. These devices enter shutdown only when all four receivers disable (see "Truth Tables" on page 4) for at least 600ns. The ISL32X73E types enter SHDN whenever EN is low and \overline{EN} is high. ISL32X75E types enter SHDN only if both EN12 and EN34 are low. Note that the ISL32X75E enable times increase significantly when enabling from the SHDN condition.

The ISL32X77E enter the low power SHDN mode if SHDNEN is high, and if all four Rx are disabled for at least 600ns. This is accomplished by driving EN low and \overline{EN} high, or by driving all four ENX inputs low. Enable times increase if the IC was in SHDN, so if enable time is more important than SHDN supply current, tying the SHDNEN pin low defeats the low power SHDN feature. In this mode, the supply current drops to 1mA to 2mA when all four Rx are disabled, but the enable time of any Rx remains below 200ns.

Remember that all enable pins have pull-up resistors on them, so each pin that is low during SHDN adds up to 15 μ A to the SHDN supply current. The SHDN supply current entries in the "Electrical Specifications" table on page 9 include the resistor currents of the pins indicated to be in the low state.

Typical Performance Curves

$C_L = 15\text{pF}$, $V_{CC} = V_L = 3.3\text{V}$ or 5V , $T_A = +25^\circ\text{C}$; Unless Otherwise Specified. V_L Notes Apply To The ISL32177E And ISL32277E Only.

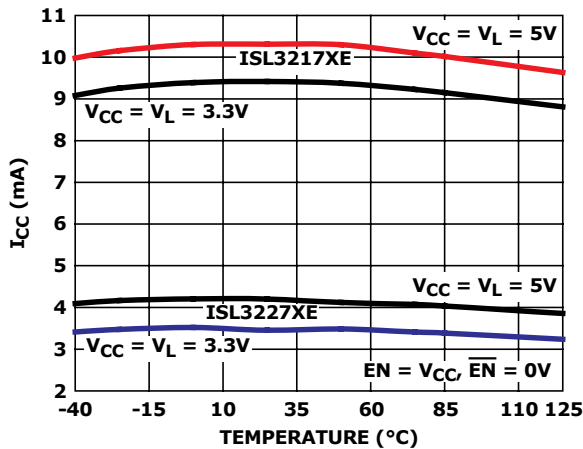


FIGURE 5. SUPPLY CURRENT vs TEMPERATURE

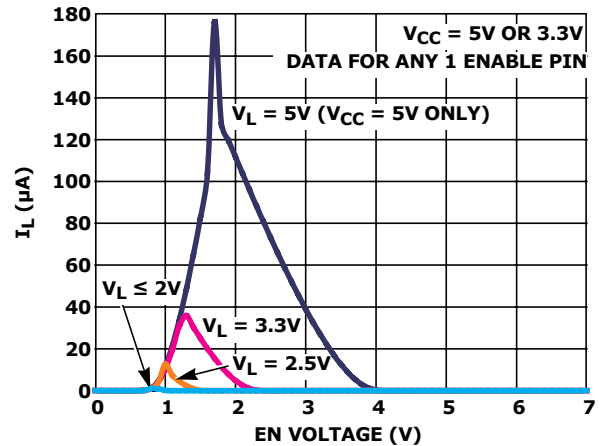


FIGURE 6. V_L SUPPLY CURRENT vs ENABLE PIN VOLTAGE (ISL32X77E ONLY)

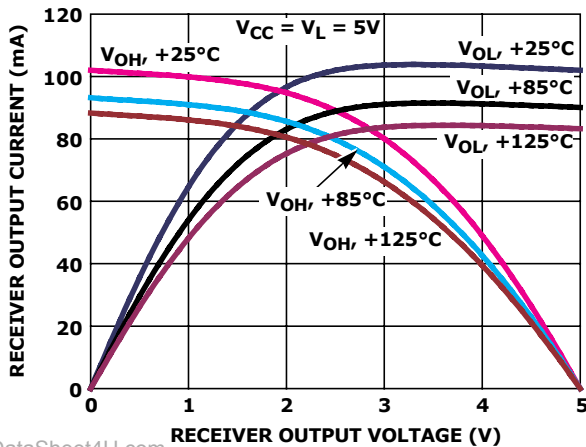


FIGURE 7. ISL3217XE RECEIVER OUTPUT CURRENT vs RECEIVER OUTPUT VOLTAGE

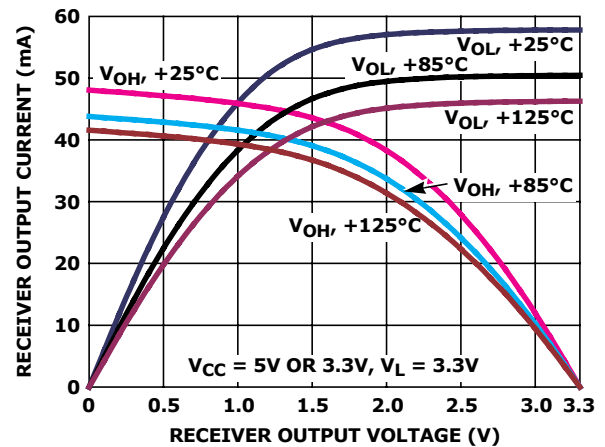


FIGURE 8. ISL3217XE RECEIVER OUTPUT CURRENT vs RECEIVER OUTPUT VOLTAGE

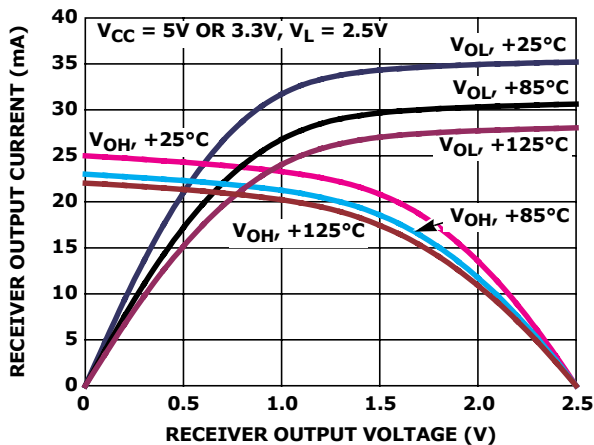


FIGURE 9. ISL32177E RECEIVER OUTPUT CURRENT vs RECEIVER OUTPUT VOLTAGE

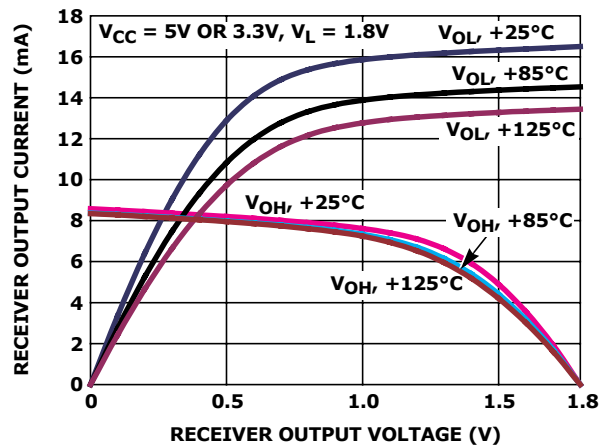


FIGURE 10. ISL32177E RECEIVER OUTPUT CURRENT vs RECEIVER OUTPUT VOLTAGE

Typical Performance Curves

$C_L = 15\text{pF}$, $V_{CC} = V_L = 3.3\text{V}$ or 5V , $T_A = +25^\circ\text{C}$; Unless Otherwise Specified. V_L Notes Apply To The ISL32177E And ISL32277E Only.

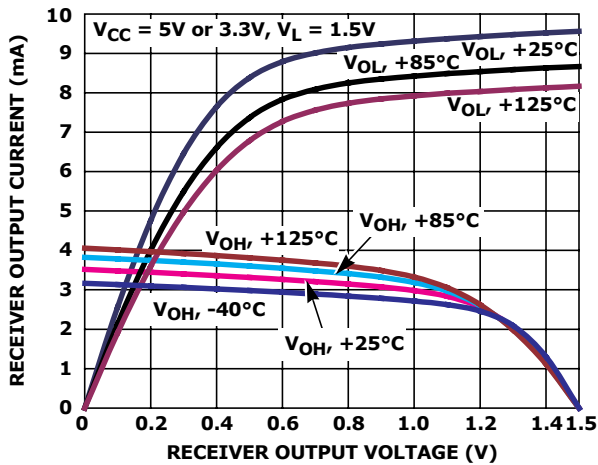


FIGURE 11. ISL32177E RECEIVER OUTPUT CURRENT vs RECEIVER OUTPUT VOLTAGE

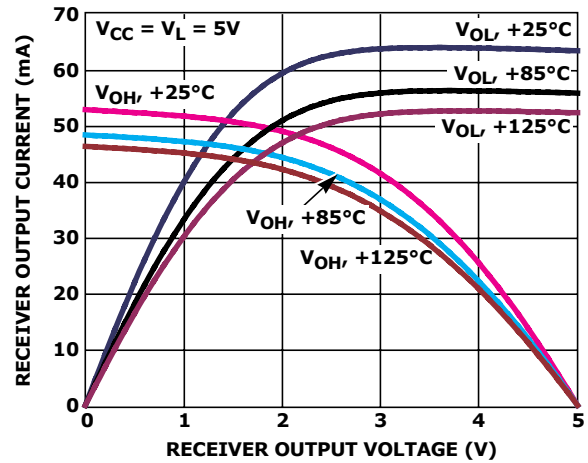
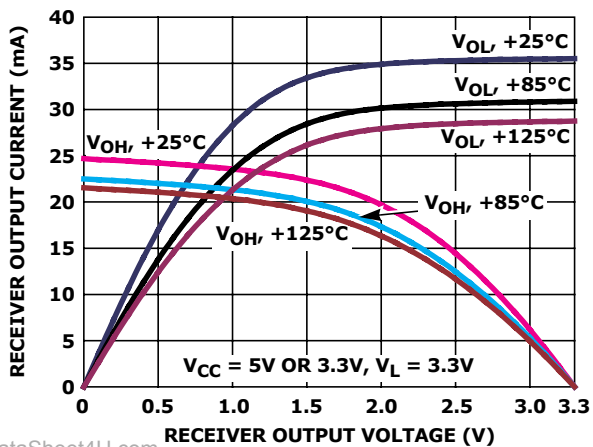


FIGURE 12. ISL3227XE RECEIVER OUTPUT CURRENT vs RECEIVER OUTPUT VOLTAGE



www.DataSheet4U.com

FIGURE 13. ISL3227XE RECEIVER OUTPUT CURRENT vs RECEIVER OUTPUT VOLTAGE

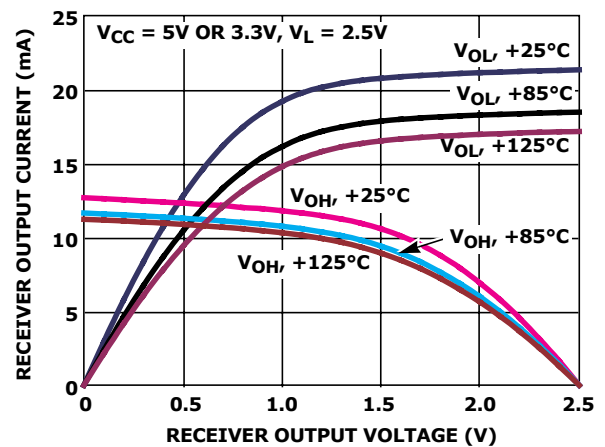


FIGURE 14. ISL32277E RECEIVER OUTPUT CURRENT vs RECEIVER OUTPUT VOLTAGE

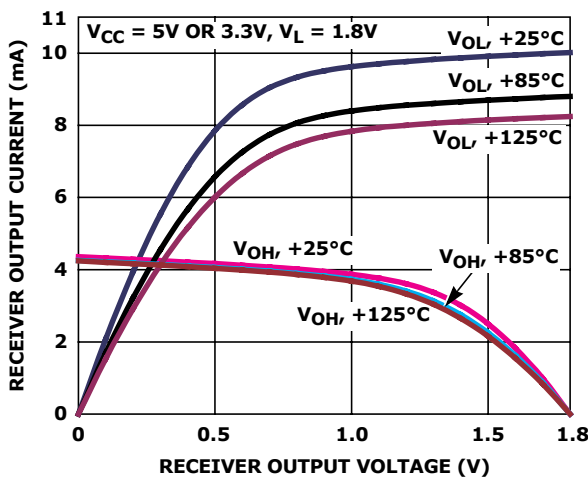


FIGURE 15. ISL32277E RECEIVER OUTPUT CURRENT vs RECEIVER OUTPUT VOLTAGE

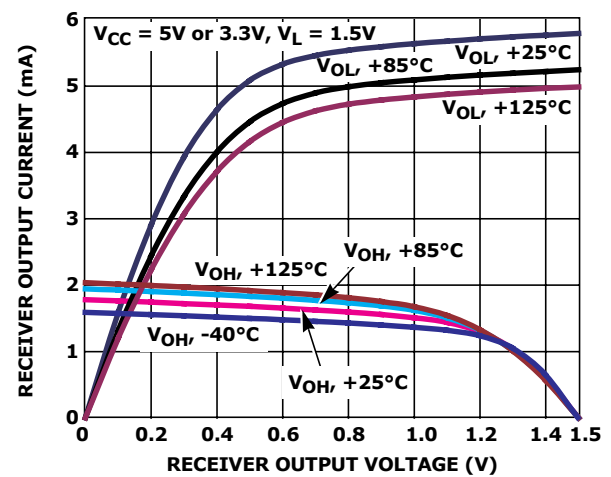


FIGURE 16. ISL32277E RECEIVER OUTPUT CURRENT vs RECEIVER OUTPUT VOLTAGE

Typical Performance Curves

$C_L = 15\text{pF}$, $V_{CC} = V_L = 3.3\text{V}$ or 5V , $T_A = +25^\circ\text{C}$; Unless Otherwise Specified. V_L Notes Apply To The ISL32177E And ISL32277E Only.

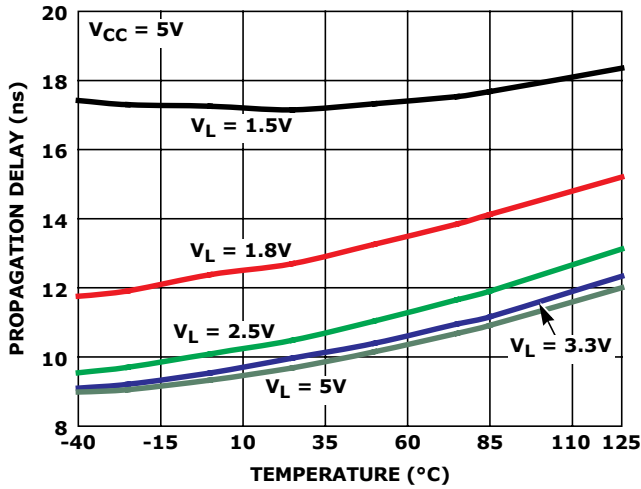


FIGURE 17. ISL3217XE RECEIVER PROPAGATION DELAY vs TEMPERATURE

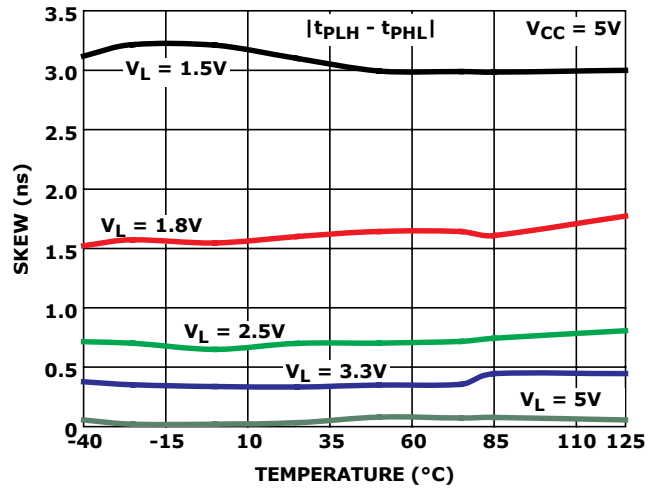


FIGURE 18. ISL3217XE RECEIVER SKEW vs TEMPERATURE

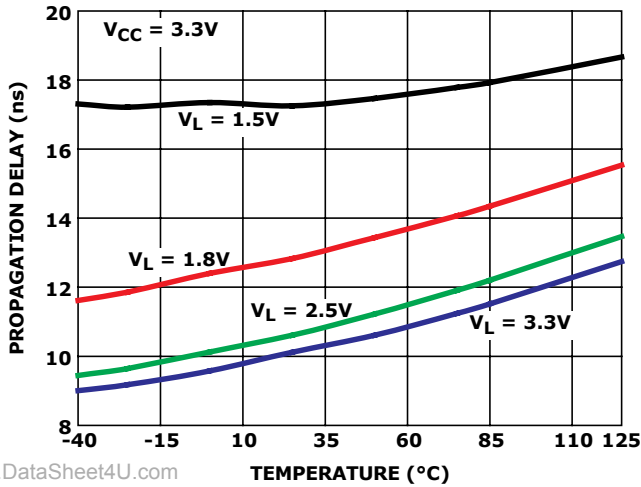


FIGURE 19. ISL3217XE RECEIVER PROPAGATION DELAY vs TEMPERATURE

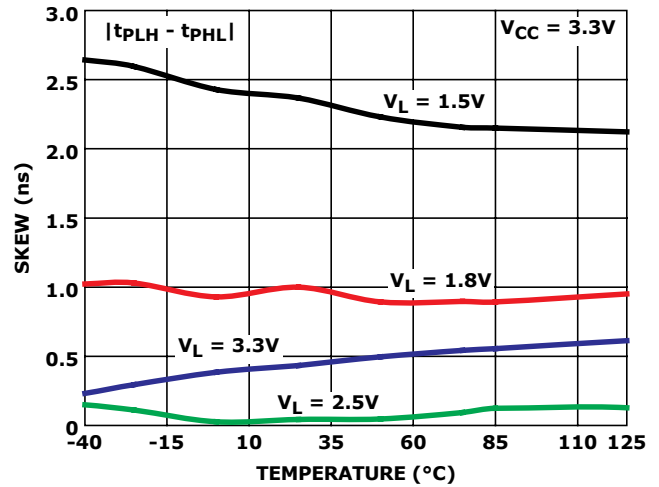


FIGURE 20. ISL3217XE RECEIVER SKEW vs TEMPERATURE

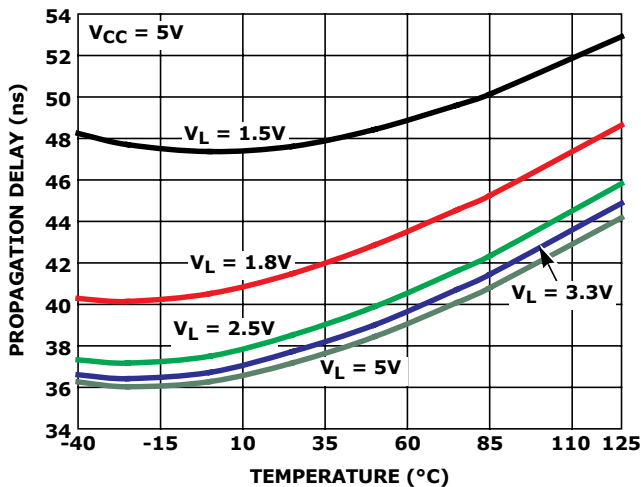


FIGURE 21. ISL3227XE RECEIVER PROPAGATION DELAY vs TEMPERATURE

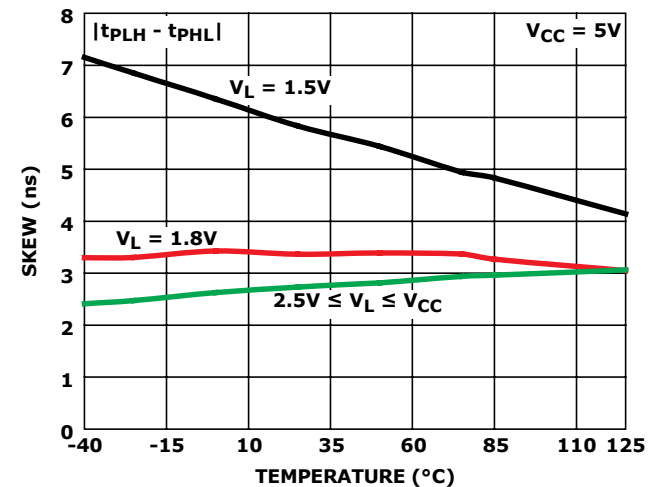


FIGURE 22. ISL3227XE RECEIVER SKEW vs TEMPERATURE

www.DataSheet4U.com

Typical Performance Curves

$C_L = 15\text{pF}$, $V_{CC} = V_L = 3.3\text{V}$ or 5V , $T_A = +25^\circ\text{C}$; Unless Otherwise Specified. V_L Notes Apply To The ISL32177E And ISL32277E Only.

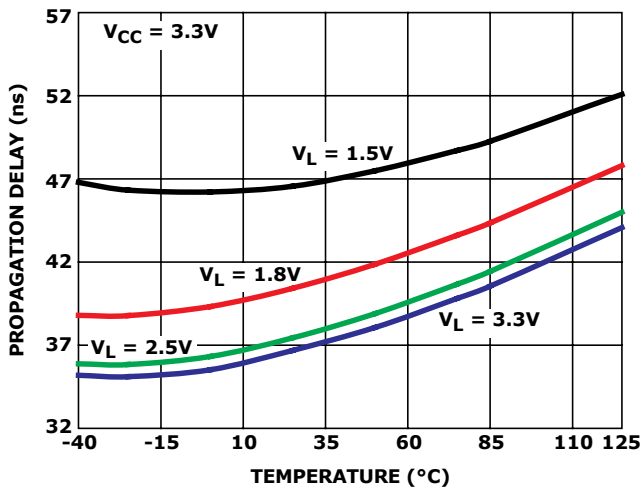


FIGURE 23. ISL3227XE RECEIVER PROPAGATION DELAY vs TEMPERATURE

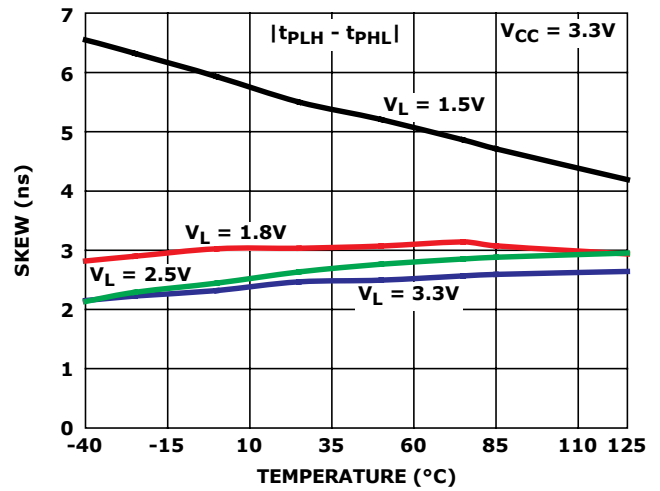
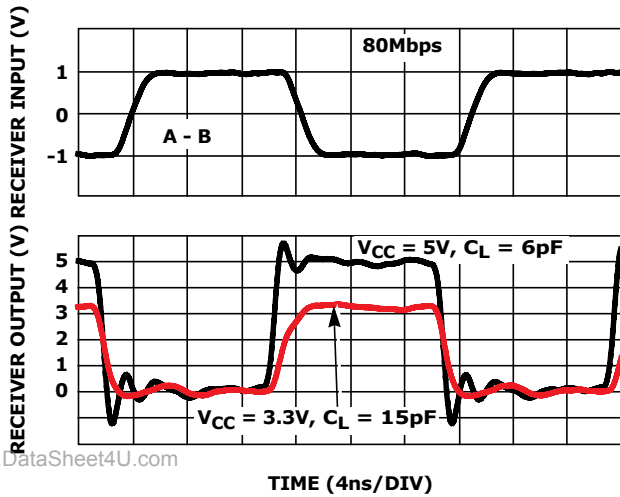


FIGURE 24. ISL3227XE RECEIVER SKEW vs TEMPERATURE



www.DataSheet4U.com

FIGURE 25. ISL3217XE RECEIVER WAVEFORMS

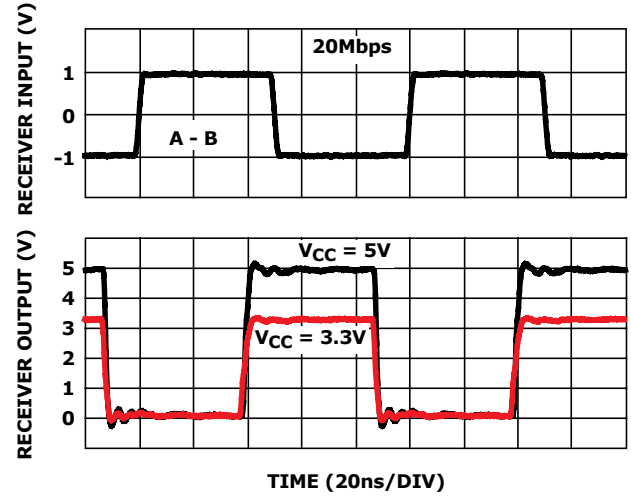


FIGURE 26. ISL3227XE RECEIVER WAVEFORMS

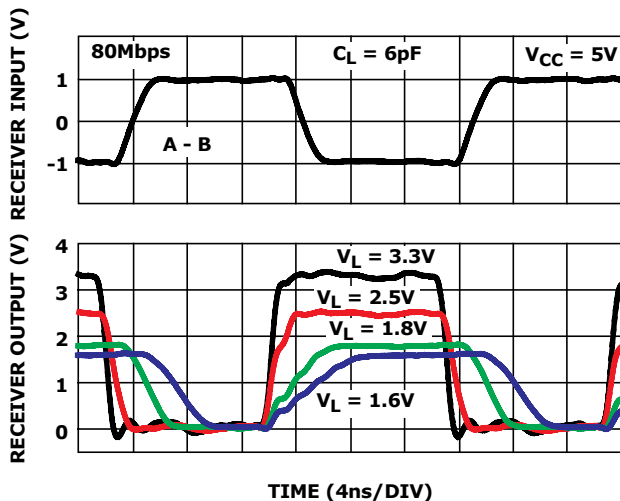


FIGURE 27. ISL32177E RECEIVER WAVEFORMS

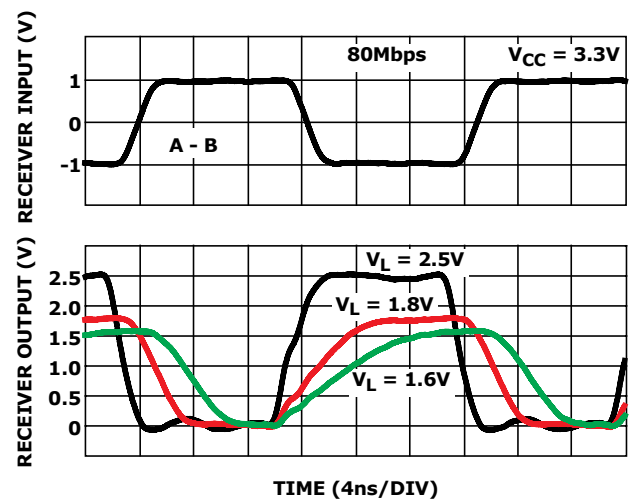


FIGURE 28. ISL32177E RECEIVER WAVEFORMS

Typical Performance Curves

$C_L = 15\text{pF}$, $V_{CC} = V_L = 3.3\text{V}$ or 5V , $T_A = +25^\circ\text{C}$; Unless Otherwise Specified. V_L Notes Apply To The ISL32177E And ISL32277E Only.

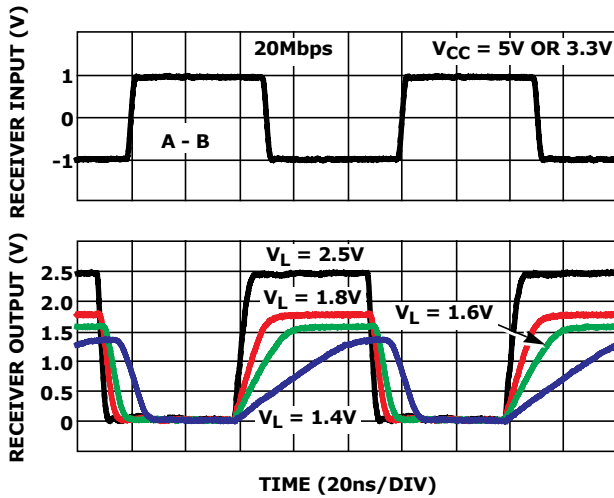


FIGURE 29. ISL32277E RECEIVER WAVEFORMS

Die Characteristics

SUBSTRATE AND QFN THERMAL PAD POTENTIAL (POWERED UP):

GND

PROCESS:

Si Gate BiCMOS

Revision History

The revision history provided is for informational purposes only and is believed to be accurate, but not warranted. Please go to web to make sure you have the latest Rev.

| DATE | REVISION | CHANGE |
|----------|----------|------------------|
| 11/19/09 | FN7529.0 | Initial release. |

Products

Intersil Corporation is a leader in the design and manufacture of high-performance analog semiconductors. The Company's products address some of the industry's fastest growing markets, such as, flat panel displays, cell phones, handheld products, and notebooks. Intersil's product families address power management and analog signal processing functions. Go to www.intersil.com/products for a complete list of Intersil product families.

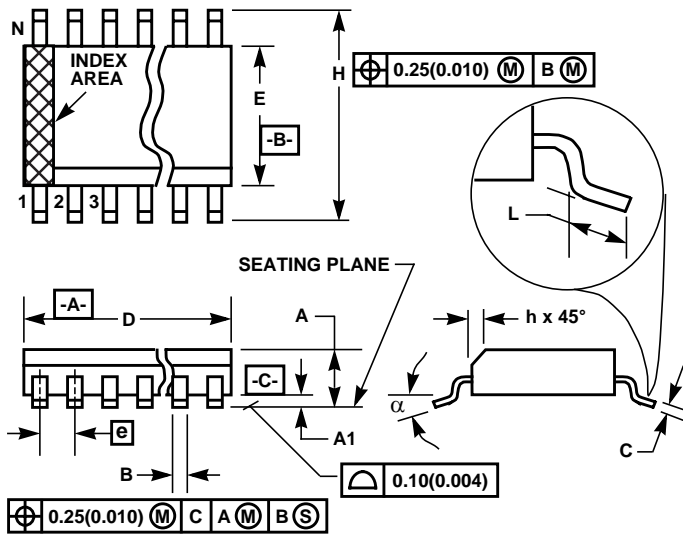
www.DataSheet4U.com

*For a complete listing of Applications, Related Documentation and Related Parts, please see the respective device information page on intersil.com: [ISL32173E](http://intersil.com/ISL32173E), [ISL32175E](http://intersil.com/ISL32175E), [ISL32177E](http://intersil.com/ISL32177E), [ISL32273E](http://intersil.com/ISL32273E), [ISL32275E](http://intersil.com/ISL32275E), [ISL32277E](http://intersil.com/ISL32277E)

To report errors or suggestions for this datasheet, please go to www.intersil.com/askourstaff

FITs are available from our website at <http://rel.intersil.com/reports/search.php>

Small Outline Plastic Packages (SOIC)



M16.15 (JEDEC MS-012-AC ISSUE C)
16 LEAD NARROW BODY SMALL OUTLINE PLASTIC PACKAGE

| SYMBOL | INCHES | | MILLIMETERS | | NOTES |
|----------|-----------|--------|-------------|-------|-------|
| | MIN | MAX | MIN | MAX | |
| A | 0.0532 | 0.0688 | 1.35 | 1.75 | - |
| A1 | 0.0040 | 0.0098 | 0.10 | 0.25 | - |
| B | 0.013 | 0.020 | 0.33 | 0.51 | 9 |
| C | 0.0075 | 0.0098 | 0.19 | 0.25 | - |
| D | 0.3859 | 0.3937 | 9.80 | 10.00 | 3 |
| E | 0.1497 | 0.1574 | 3.80 | 4.00 | 4 |
| e | 0.050 BSC | | 1.27 BSC | | - |
| H | 0.2284 | 0.2440 | 5.80 | 6.20 | - |
| h | 0.0099 | 0.0196 | 0.25 | 0.50 | 5 |
| L | 0.016 | 0.050 | 0.40 | 1.27 | 6 |
| N | 16 | | 16 | | 7 |
| α | 0° | 8° | 0° | 8° | - |

NOTES:

1. Symbols are defined in the "MO Series Symbol List" in Section 2.2 of Publication Number 95.
2. Dimensioning and tolerancing per ANSI Y14.5M-1982.
3. Dimension "D" does not include mold flash, protrusions or gate burrs. Mold flash, protrusion and gate burrs shall not exceed 0.15mm (0.006 inch) per side.
4. Dimension "E" does not include interlead flash or protrusions. Interlead flash and protrusions shall not exceed 0.25mm (0.010 inch) per side.
5. The chamfer on the body is optional. If it is not present, a visual index feature must be located within the crosshatched area.
6. "L" is the length of terminal for soldering to a substrate.
7. "N" is the number of terminal positions.
8. Terminal numbers are shown for reference only.
9. The lead width "B", as measured 0.36mm (0.014 inch) or greater above the seating plane, shall not exceed a maximum value of 0.61mm (0.024 inch).
10. Controlling dimension: MILLIMETER. Converted inch dimensions are not necessarily exact.

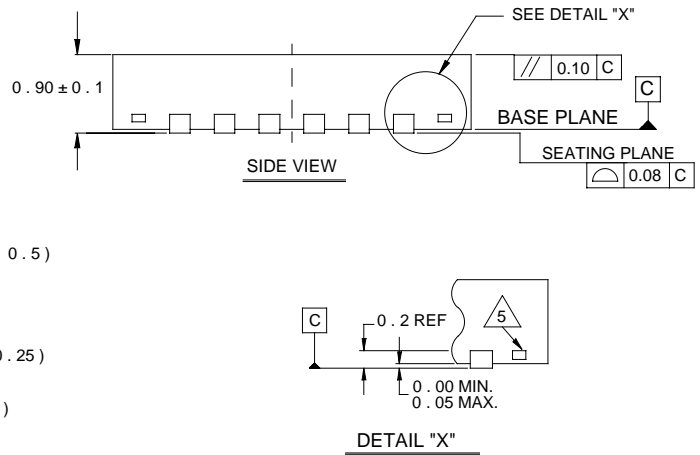
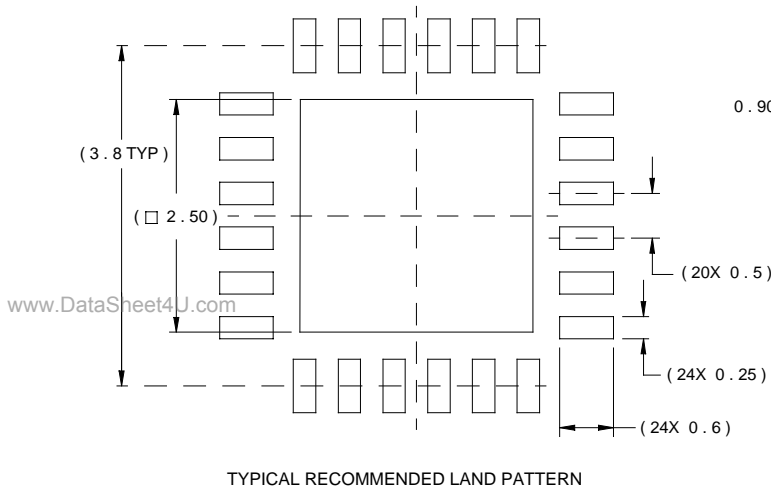
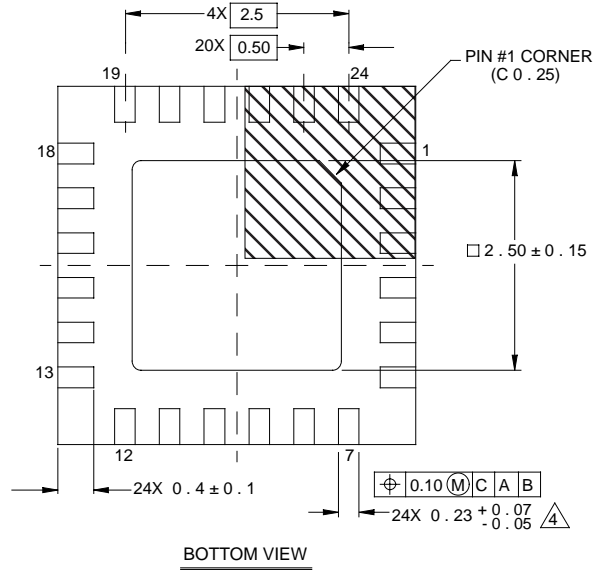
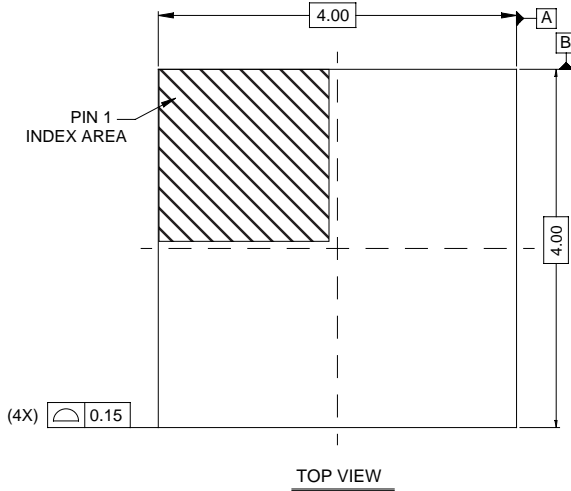
Rev. 1 6/05

Package Outline Drawing

L24.4x4C

24 LEAD QUAD FLAT NO-LEAD PLASTIC PACKAGE

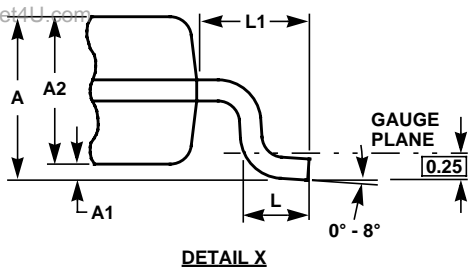
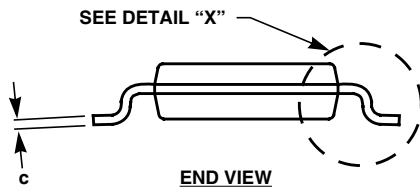
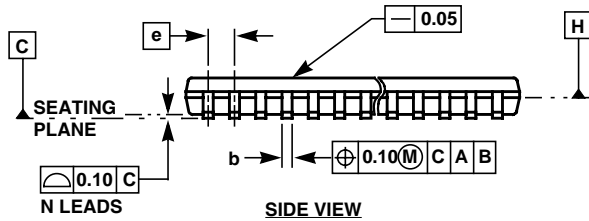
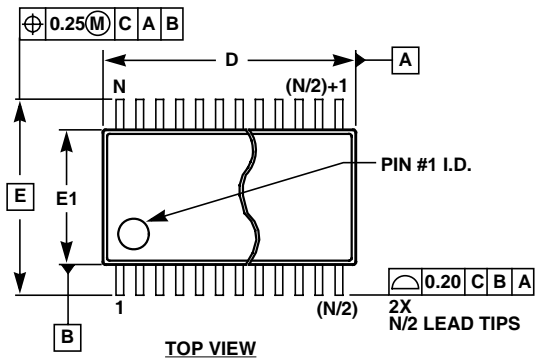
Rev 2, 10/06



NOTES:

- Dimensions are in millimeters.
Dimensions in () for Reference Only.
- Dimensioning and tolerancing conform to AMSE Y14.5m-1994.
- Unless otherwise specified, tolerance : Decimal ± 0.05
- Dimension b applies to the metallized terminal and is measured between 0.15mm and 0.30mm from the terminal tip.
- Tiebar shown (if present) is a non-functional feature.
- The configuration of the pin #1 identifier is optional, but must be located within the zone indicated. The pin #1 identifier may be either a mold or mark feature.

Thin Shrink Small Outline Package Family (TSSOP)



MDP0044

THIN SHRINK SMALL OUTLINE PACKAGE FAMILY

| SYMBOL | MILLIMETERS | | | | | TOLERANCE |
|--------|-------------|-------|-------|-------|-------|-------------|
| | 14 LD | 16 LD | 20 LD | 24 LD | 28 LD | |
| A | 1.20 | 1.20 | 1.20 | 1.20 | 1.20 | Max |
| A1 | 0.10 | 0.10 | 0.10 | 0.10 | 0.10 | ±0.05 |
| A2 | 0.90 | 0.90 | 0.90 | 0.90 | 0.90 | ±0.05 |
| b | 0.25 | 0.25 | 0.25 | 0.25 | 0.25 | +0.05/-0.06 |
| c | 0.15 | 0.15 | 0.15 | 0.15 | 0.15 | +0.05/-0.06 |
| D | 5.00 | 5.00 | 6.50 | 7.80 | 9.70 | ±0.10 |
| E | 6.40 | 6.40 | 6.40 | 6.40 | 6.40 | Basic |
| E1 | 4.40 | 4.40 | 4.40 | 4.40 | 4.40 | ±0.10 |
| e | 0.65 | 0.65 | 0.65 | 0.65 | 0.65 | Basic |
| L | 0.60 | 0.60 | 0.60 | 0.60 | 0.60 | ±0.15 |
| L1 | 1.00 | 1.00 | 1.00 | 1.00 | 1.00 | Reference |

Rev. F 2/07

NOTES:

1. Dimension "D" does not include mold flash, protrusions or gate burrs. Mold flash, protrusions or gate burrs shall not exceed 0.15mm per side.
2. Dimension "E1" does not include interlead flash or protrusions. Interlead flash and protrusions shall not exceed 0.25mm per side.
3. Dimensions "D" and "E1" are measured at dAtum Plane H.
4. Dimensioning and tolerancing per ASME Y14.5M-1994.

For additional products, see www.intersil.com/product_tree

Intersil products are manufactured, assembled and tested utilizing ISO9000 quality systems as noted in the quality certifications found at www.intersil.com/design/quality

Intersil products are sold by description only. Intersil Corporation reserves the right to make changes in circuit design, software and/or specifications at any time without notice. Accordingly, the reader is cautioned to verify that data sheets are current before placing orders. Information furnished by Intersil is believed to be accurate and reliable. However, no responsibility is assumed by Intersil or its subsidiaries for its use; nor for any infringements of patents or other rights of third parties which may result from its use. No license is granted by implication or otherwise under any patent or patent rights of Intersil or its subsidiaries.

For information regarding Intersil Corporation and its products, see www.intersil.com